

Providence Pellet Insert




THELIN
HEARTH PRODUCTS

Where comfort begins

www.thelinco.com

The Providence Pellet Insert was selected to be the 2011 recipient of the prestigious Vesta Award for design and innovation by professionals in the hearth industry.

The Providence will warm your home with clean burning pellet heat using far less energy than other pellet inserts. Power outages that will stop other pellet stoves cold are no problem for the Providence.



Vesta Award Winner

Convenient features you won't find in ordinary pellet inserts

Meticulous craftsmanship & distinctive styling

Venturi burn pot

Holes in the cast iron burn pot are conically shaped and strategically placed to create better fuel to air mixing which results in lower emissions and cleaner glass. The Providence is EPA certified.

Mirrored glass & great fire viewing

A large fire viewing window gives you an unobstructed view of the fire. You'll love the dancing flames created by the venturi burn pot when the stove is heating. The specially coated glass functions as a one way mirror hiding the firebox from view when the stove is off.

Built-in rollers and optional track system

Rear mounted rollers take the work out of pulling the insert for yearly maintenance.

An optional track system is available which makes access even easier and is especially well suited for raised hearths.



Ash vac ports facilitate cleaning and reduce airborne fly ash

Ports located on opposite sides of the insert provide easy access for removing debris with an ash vac. This break through design greatly reduces airborne dust during routine maintenance. Additionally, the Providence's unique *clean function* removes loose ash from the insert with the simple push of a button.

Adjustable hopper height and capacity

The Providence hopper is adjustable from 22" to 26" to provide maximum hopper capacity while fitting most fireplace openings.



Silver Vein

Refueling is so easy

Simply lift the hopper lid and it becomes a shelf for resting the pellet bag while you refill. The two sides of the opening are sloped to enable easy clean up of spilled pellets.



Push-button temperature selection

The Providence's user friendly control panel and microprocessor provide adjustment to accommodate fuel quality and heat content of wood pellets.

Conveniently located controls

The push button controls are hidden behind a decorative panel located at the top of the insert so there is no need to get on your hands and knees to make adjustments. The power cord can run on either side to reach the nearest outlet.

Flue cleaning has never been so easy

The innovative flue outlet design lets you clean the entire flue with a brush and flex rods without removing the insert from the fireplace. A quick disconnect lets you unhook the flue when the insert is slid out for yearly maintenance.

Say goodbye to power outages

Many woodstove owners have been reluctant to switch to pellet heat because when the power goes out the stove shuts off. The Providence is designed to solve this problem. Simply connect any deep cycle battery or generator to plug in ports on the insert and you are ready to enjoy the convenience of pellet heating as the storm rages on. No costly inverters are required. The Providence will even recharge the battery once power is restored!



Power up with solar

The Providence uses DC motors and only draws 37 watts of power so it is ideal for off the grid applications using a solar panel and battery.

The Providence design was inspired by the rich tradition of craftsmanship that dates back to the days when company founder Jay Thelin restored classic wooden boats in his shop overlooking Lake Tahoe. The Providence's classic proportions coupled with a remarkable attention to detail create a design statement worthy of any well appointed home.

The Providence is beautifully detailed and handcrafted

The Providence is well proportioned and features traditional styling with curved raised side panels. The furniture detailing of the surround compliments the insert's body styling and is fully integrated into the design. The attention to detail coupled with the remarkable fit and finish sets the Providence in a class by itself. Experts in the hearth industry agree that the Providence is the most attractive pellet insert on the market today.

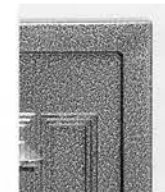
The Providence is available in durable and easy to clean powder coated finishes that won't fade over time.



Black



Copper Vein



Silver Vein



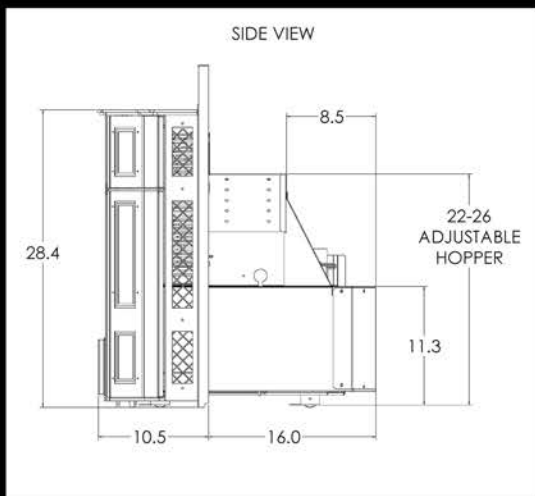
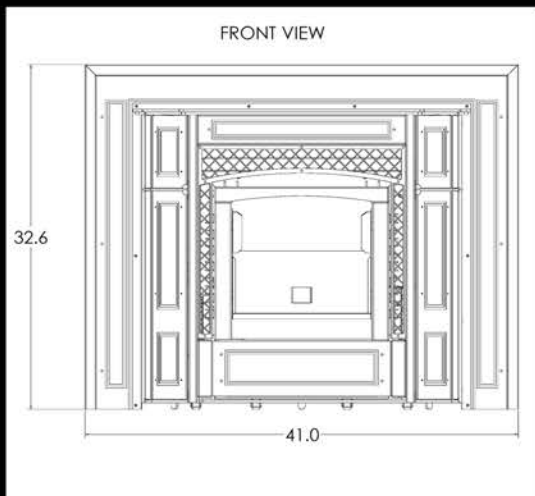
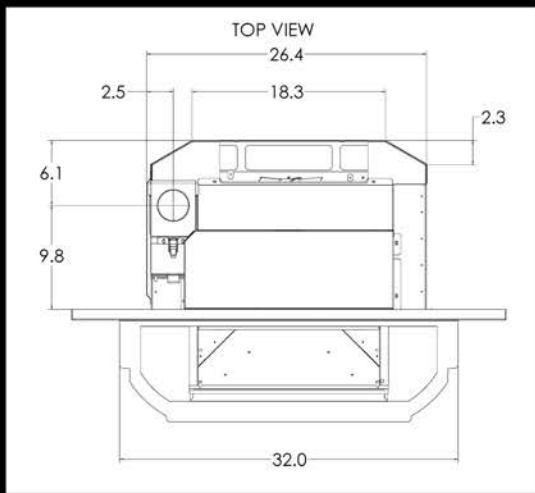
Black

No Fireplace? No problem!

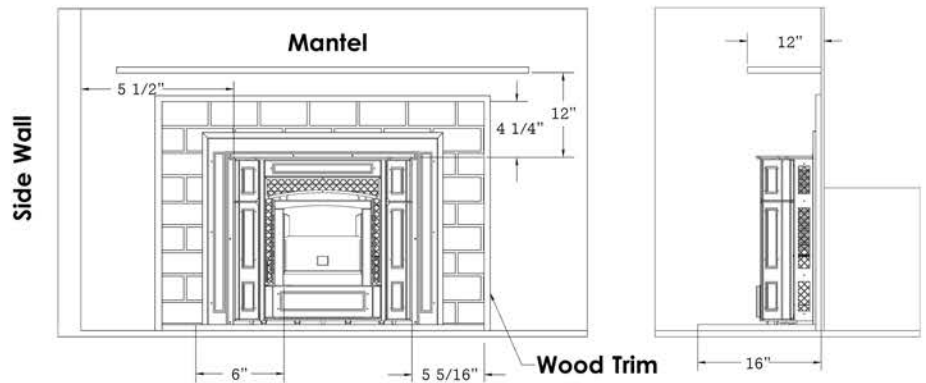
You can still enjoy the looks and warmth of the Providence even if you do not have a fireplace - The Providence is approved for use in wood frame construction so that you can add your own mantel and stone facing to look just like a site built fireplace!



Copper Vein



Masonry or Zero Clearance



Standard Features for all models

- ✓ Quick disconnect flue
- ✓ Dual Vacuum Ports for easy cleaning
- ✓ Vacuum assist clean function
- ✓ Mirrored glass
- ✓ Innovative air wash system
- ✓ Leveling screws and rollers
- ✓ Low power usage for solar and off-the-grid applications
- ✓ Built in battery trickle charger
- ✓ Auxiliary battery receptacles
- ✓ Automatic electronic ignition
- ✓ Cast iron Venturi burn pot
- ✓ Large ash pan
- ✓ DC power technology

Options and Accessories:

- Designer grills
- Internal battery kit
- Track system for cleaning
- Remote thermostat
- Outside air kit
- Auxiliary battery cables

Performance & Specifications

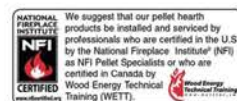
- Btu/Hour range: 0 - 45,800
- Hopper capacity: Adjustable at 26" = 52 lbs., 22" = 38 lbs.
- Fuel: Premium Wood Pellets
- Emissions: 1.2 g/hr EPA approved
- Feed rate: Low 1.8 lbs/hr, High 5.26 lbs/hr
- Vent Size: 4" standard, 3" optional outlet plate
- Electrical: 120 VAC, 37 Watts continuous use
- Weight: 200 lbs.

Specifications and dimensions are subject to change. Actual products may vary in appearance or features from those depicted in this brochure.

Refer to the Owner's Manual for complete installation instructions. Installation must conform with local building codes.



MADE IN THE USA



W/N 14805
Laboratory Tested

Your Authorized Thelin Dealer: