

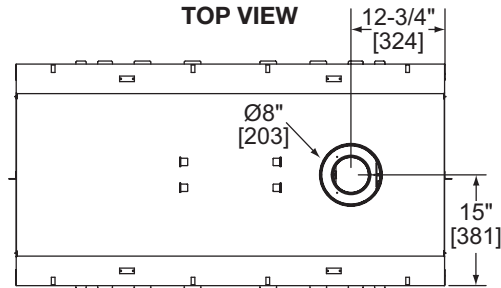
MAJESTIC

Please consult the manufacturer's installation manual for all details and requirements before making a final design layout decision.

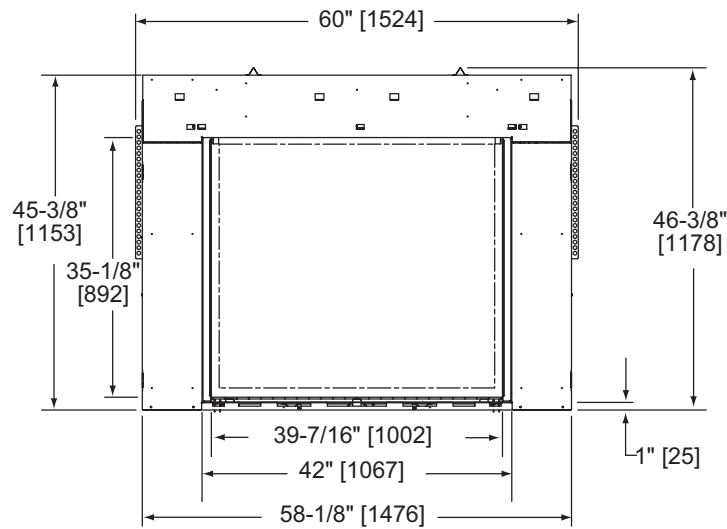
**MARQUIS II 42
SEE-THROUGH**
Direct Vent Gas Fireplace

MODEL	HEIGHT		FRONT WIDTH		BACK WIDTH		DEPTH		GLASS SIZE
	Actual	Framing	Actual	Framing	Actual	Framing	Actual	Framing	
MARQ42STIN	46-3/8" [1178]	46-1/2" [1181]	60" [1524]	60-1/4" [1530]	60" [1524]	60-1/4" [1530]	30" [762]	30" [762]	39-7/16" x 35-1/8" [1002 X 892]

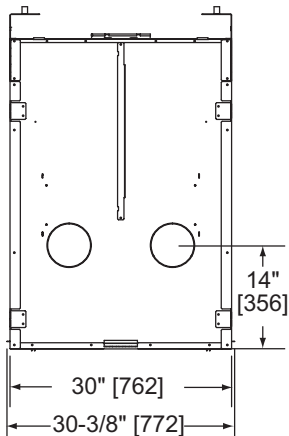
TOP VIEW



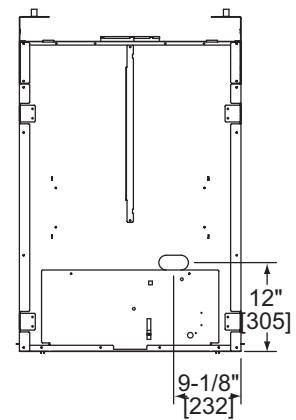
FRONT VIEW



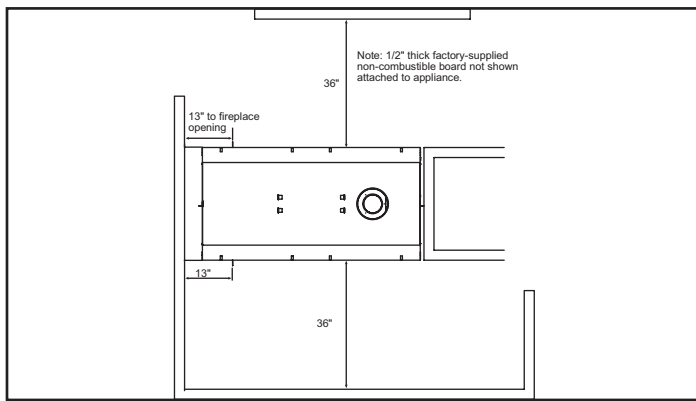
LEFT SIDE



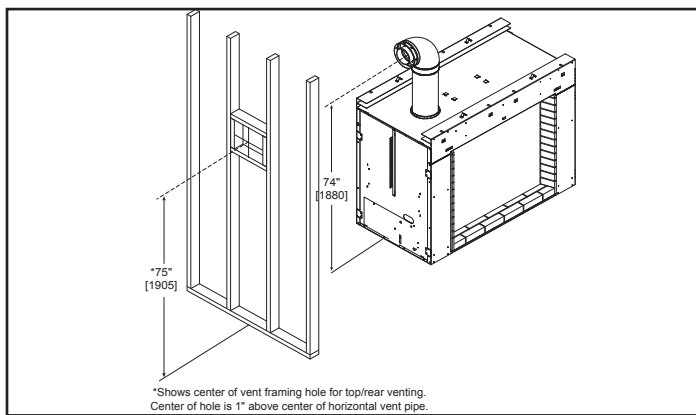
RIGHT SIDE



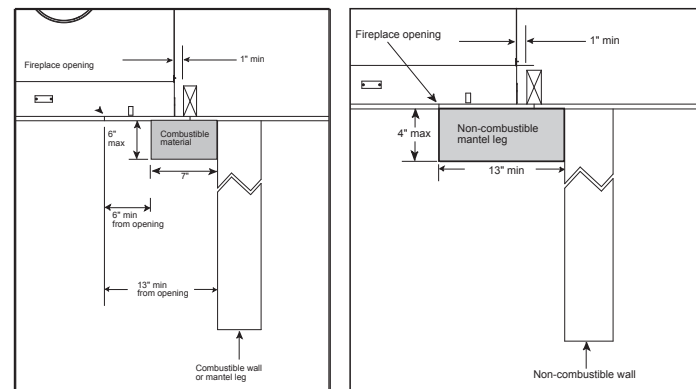
FIREPLACE LOCATIONS



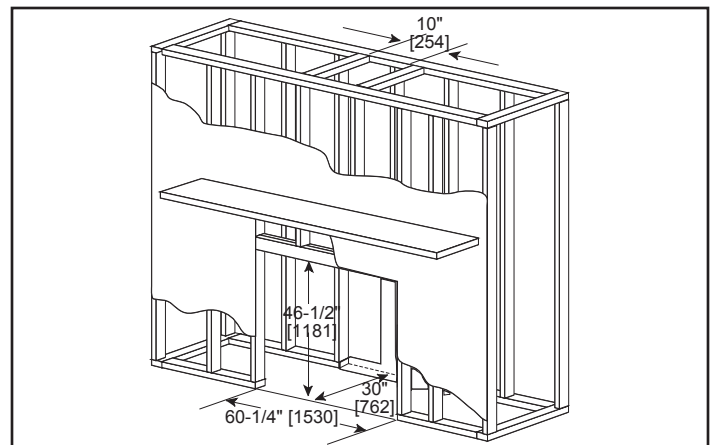
WALL PENETRATION



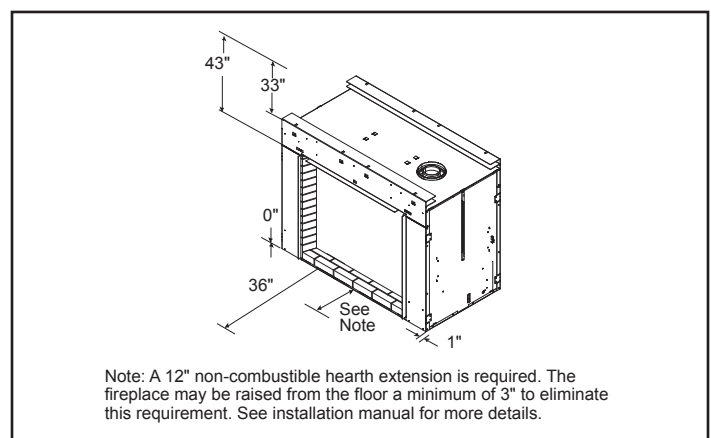
MANTLE LEG/WALL PROJECTIONS



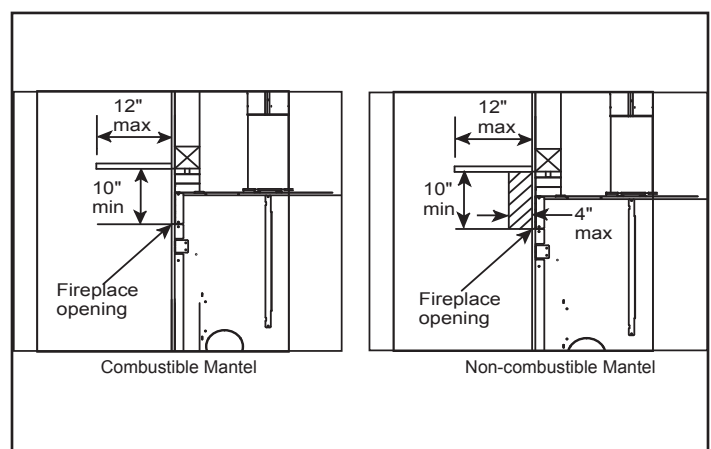
FRAMING DIMENSIONS



CLEARANCES TO COMBUSTIBLES



MANTLE PROJECTIONS



PRODUCT LISTING CODES	
US	ANSI Z21.88a-2007
CAN	CSA 2.33a-2007
	UL307B

Product information provided is not complete and is subject to change without notice. Product installation must adhere strictly to instructions accompanying product to avoid risk of fire and potential injury.