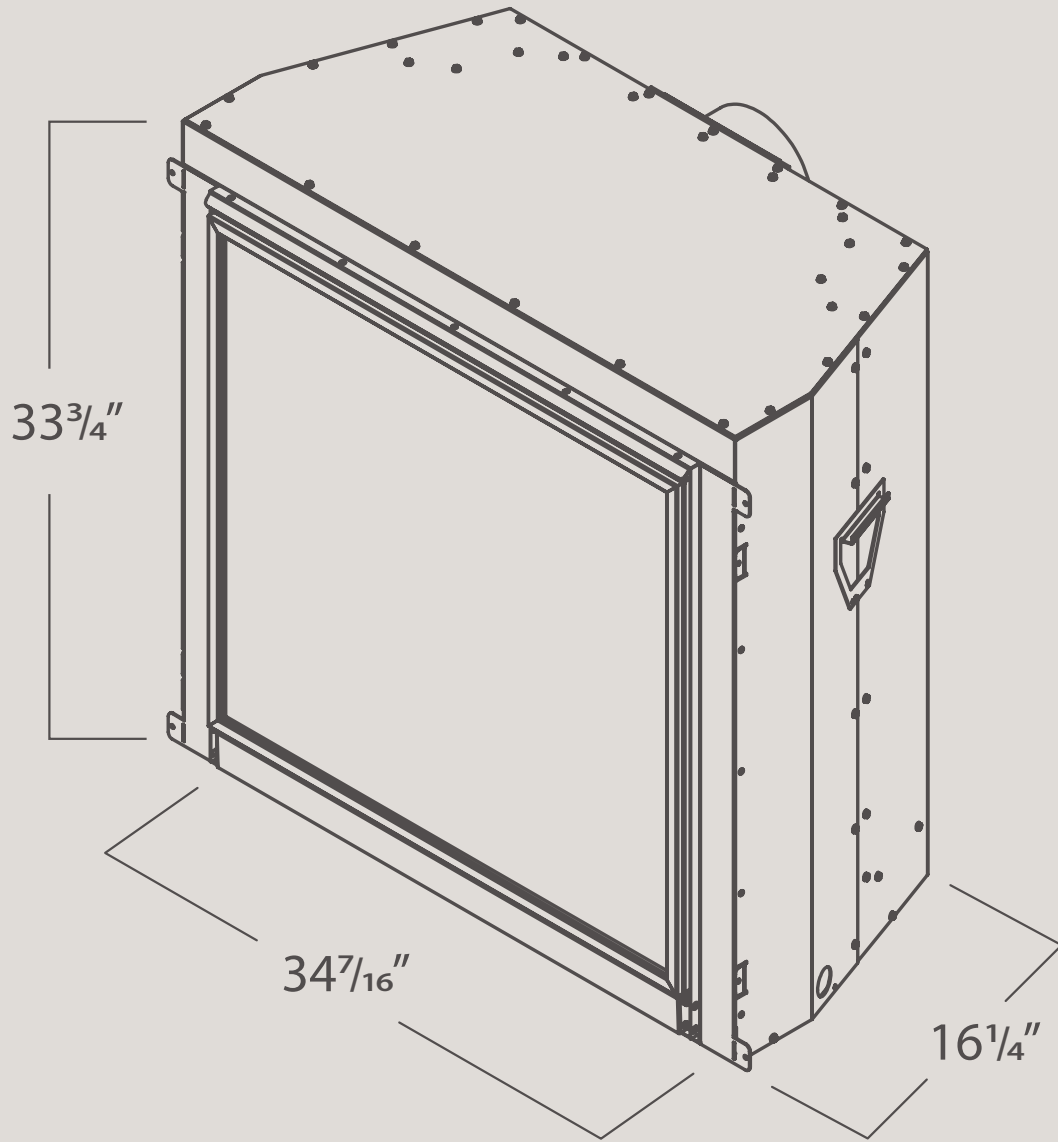


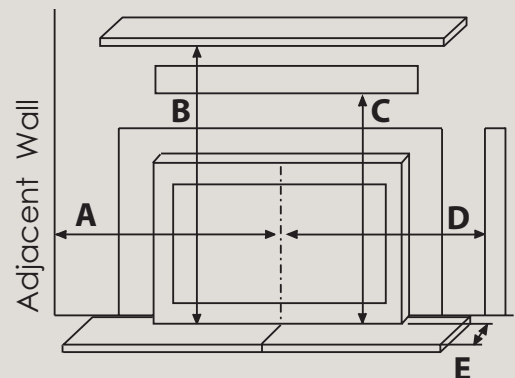
Q3 Dimensions



Clearance to Combustibles

Q3
Fireplace

A - center of unit to side wall	$26\frac{1}{4}"$
B - bottom of unit to bottom of 12" mantle	$46\frac{1}{2}"$
C - bottom of unit to max. $\frac{3}{4}"$ combustible facing	$43\frac{1}{2}"$
D - center of unit to side facing	$17\frac{5}{16}"$
E - front of door to edge of floor protection	N/A



Measurements are approximate please consult owners manual for details.