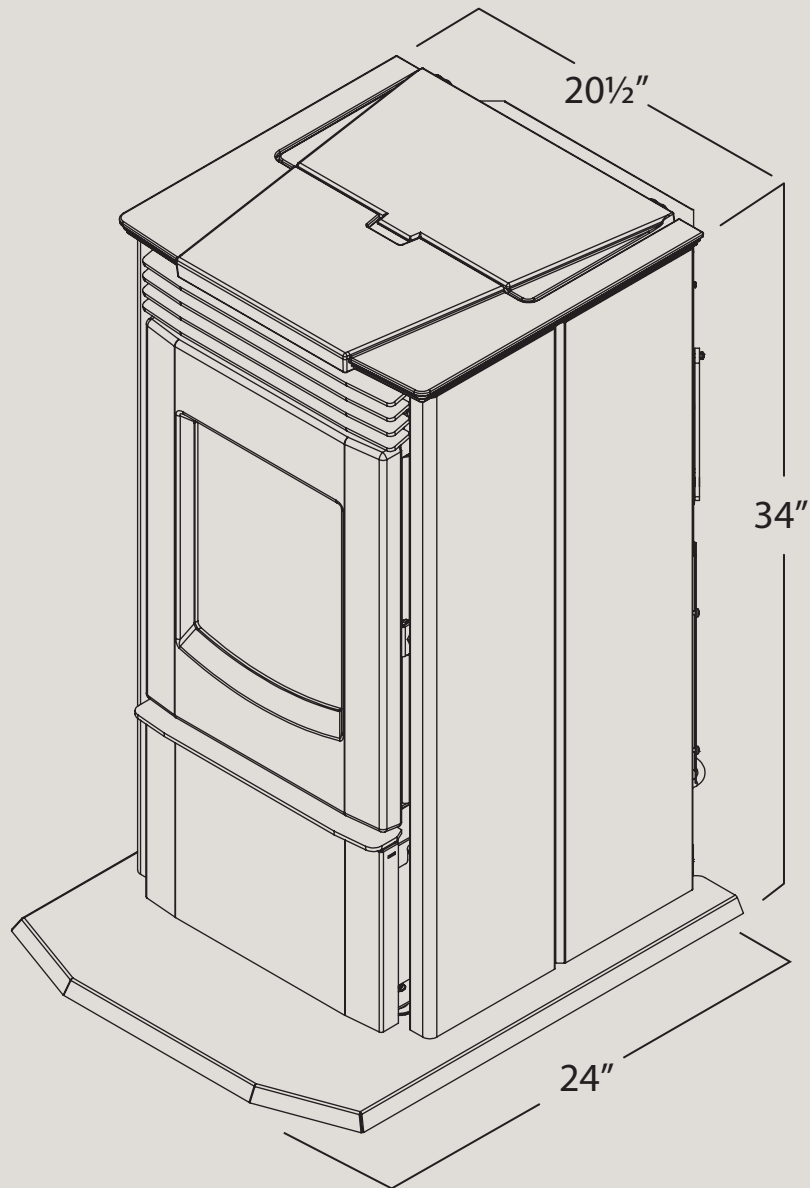


## P3 Dimensions



### Minimum Clearance to Combustibles

P3

Min. distance to the sides of the unit

8"

Min. distance behind the unit

4"

Min. distance from the base of the unit

48"

Min. distance from corner to wall

3"

*Measurements are approximate please consult owners manual for details.*