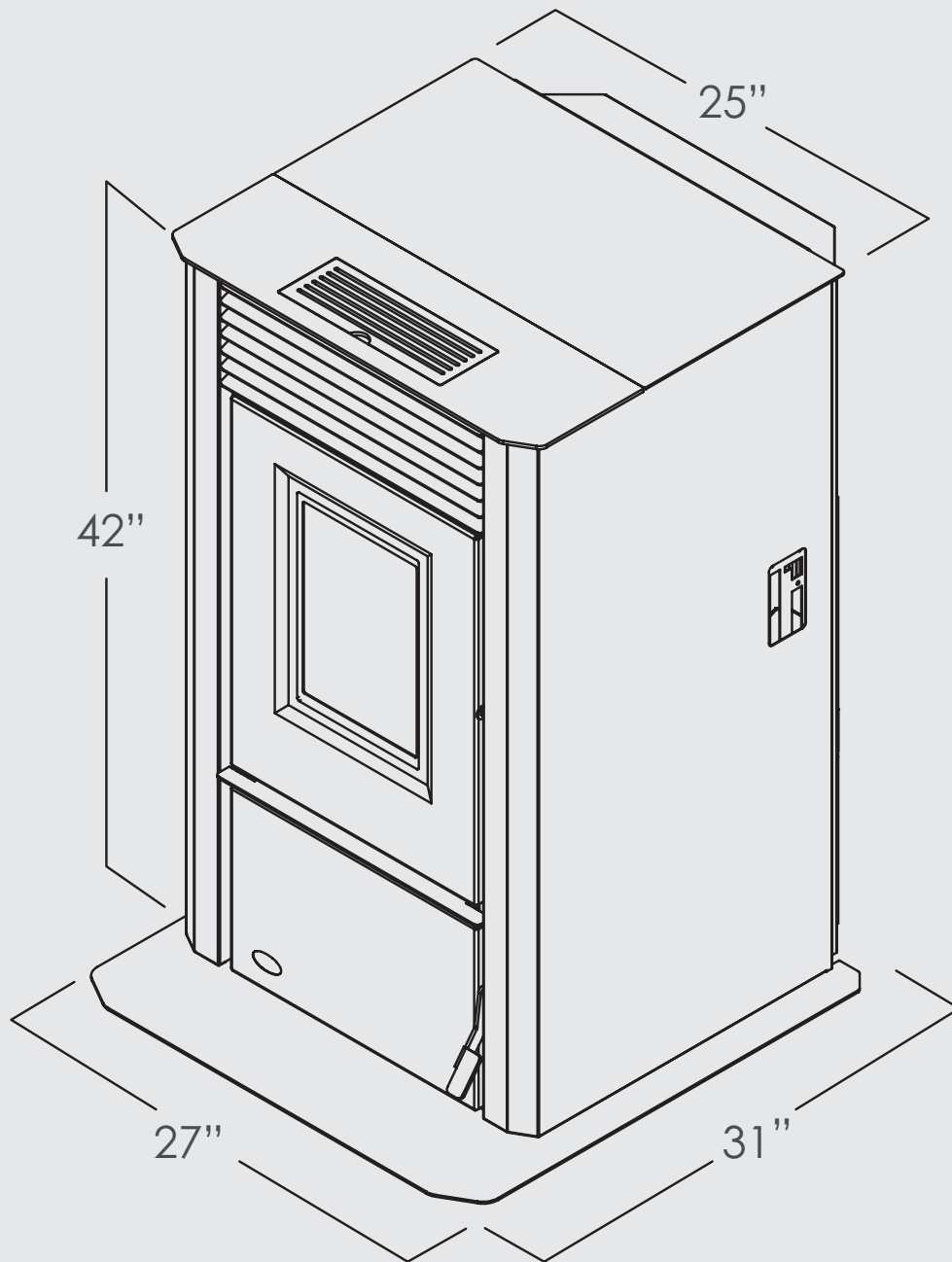


## MAXX/MAXX-M Dimensions



### Minimum Clearance to Combustibles

	MAXX	MAXX-M
Minimum distance to the stove's sides	12"	12"
Minimum distance behind the stove	4"	4"
Minimum distance above the stove	48"	48"
Minimum distance corner to wall	3"	4"

Measurements are approximate please consult owners manual for details.