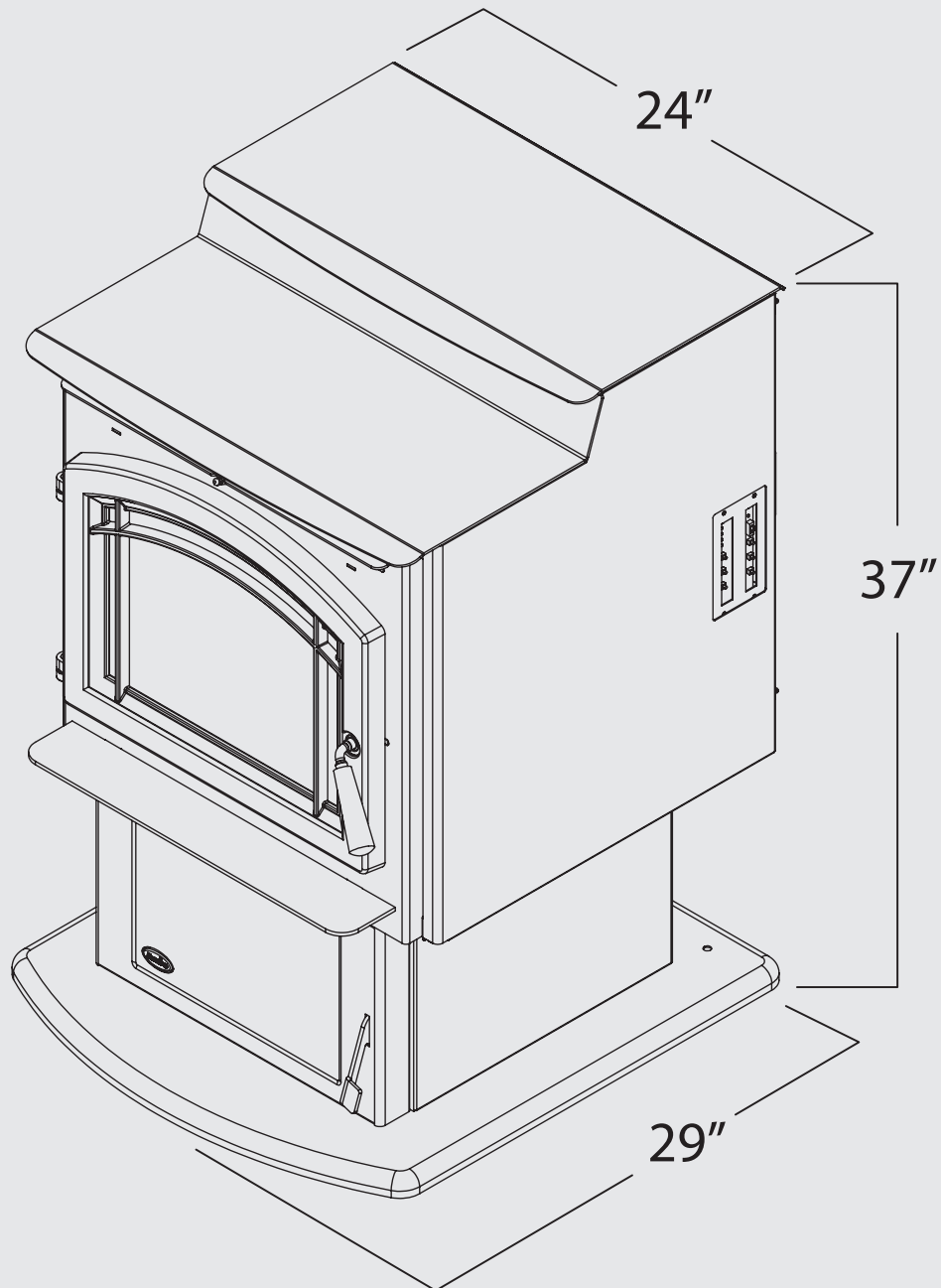


M55 Steel Dimensions



Minimum Clearance to Combustibles

M55 Steel

Minimum distance to the stove's sides

12"

Minimum distance behind the stove

3"

Minimum distance above the stove

48"

Minimum distance corner to wall

3"

Measurements are approximate please consult owners manual for details.