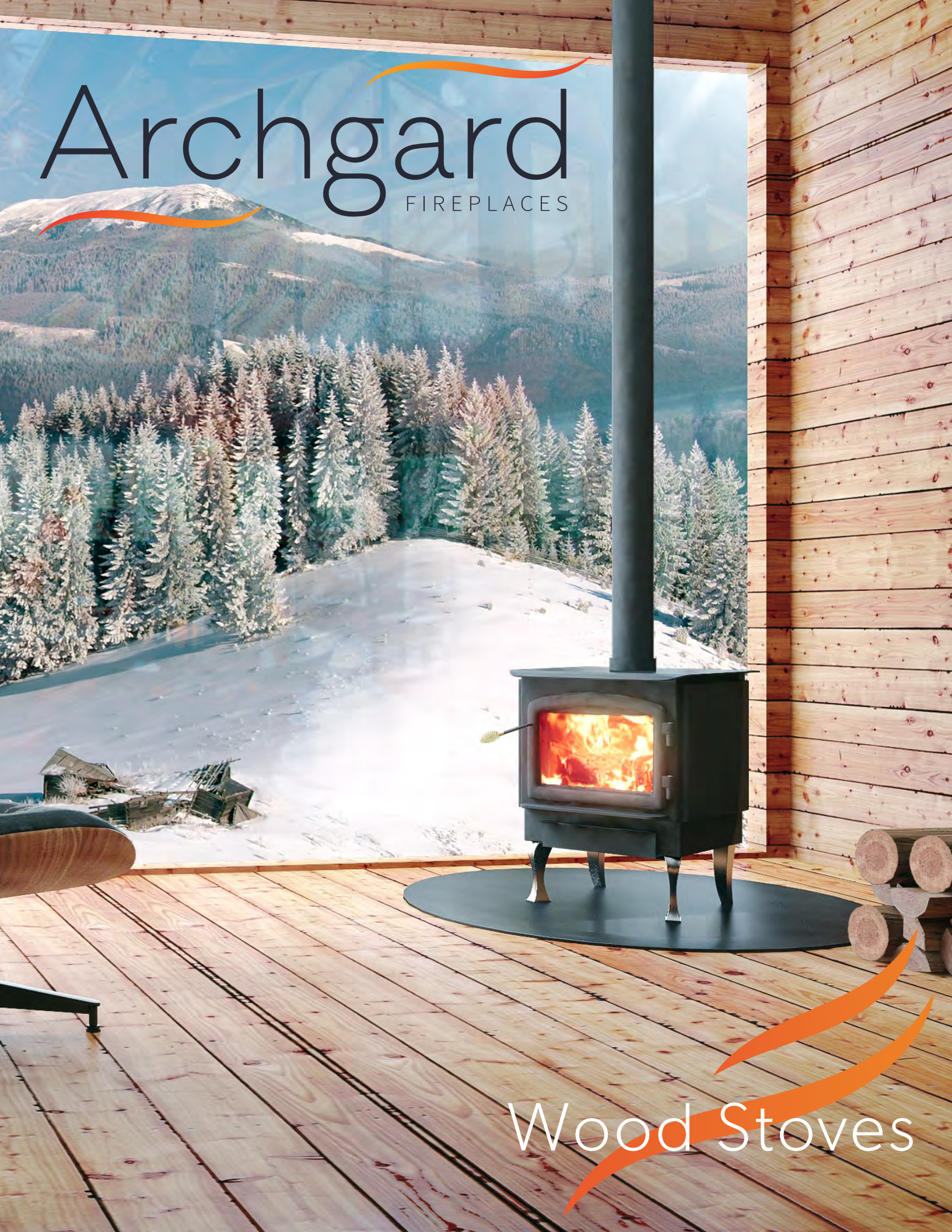


# Archgard

FIREPLACES

Wood Stoves





## Chalet 1600 & 1800 Freestanding Woodstoves

### SPECIFICATIONS

	Chalet 1600	Chalet 1800
Width & Depth	23-3/4" x 22-3/4" (603 mm x 578 mm)	23-3/4" x 27-1/16" (603 mm x 687 mm)
Height with pedestal	28 5/8" (575 mm)	30-3/8" (771 mm)
Height with legs	29 5/8" (752 mm)	31-3/8" (797 mm)
Cubic size of firebox	1.7 CUFT.	2.5 CUFT.
EPA Emission	2.88 grams/hr	3.6 grams/hr
Seasoned cordwood rating	65,000 BTU (19,049 kW)	78,000 BTU (22,860 kW)
Approximate heating area	800 - 1500 sq feet 74.3 - 139.4 sq metres	1000 - 2000 sq feet 92.8 - 185.6 sq metres
Log length	18"	18"
Stove body weight with pedestal and door	300 lb (136 kg)	395 lb (180 kg)
Duration of low fire	6 - 10 hrs	8 - 12 hrs
Optional Fan	150 CFM	150 CFM
Fresh Air Adaptor*	Optional	

\*Required in a mobile house.

### ACCESSORIES

Archgard Chalet Freestanding Woodstoves combines the latest in fire technology with a sleek design to offer an impressive wood burning option that fulfills the heating needs of most North American homes. Built to last with efficiency and attractive style in mind, these units will turn your home into the warm and comfortable home of your dreams.



The Chalet Freestanding delivers radiant heat, warming your home.



Chalet 1600 & 1800  
Black Skirt - Nickel Door and Nickel legs



Chalet 1600 & 1800  
Black Skirt - Black Door and Black legs



Chalet 1600 & 1800  
Black Skirt - Gold Door and Gold legs

### THE CHALET 1600 & 1800 FREESTANDING WOODSTOVES.

The top of each stove is made of heavyweight 5/16" plate steel that provides a large surface area and superb heat transfer allowing you to heat a steamer, or pots and pans for cooking.

Heat circulating sides and back panels provide greater air flow for natural heating of the room. The non-catalytic burn technology and Pristine Air Wash system that cleans the durable ceramic glass allows the flames to shine through brightly.

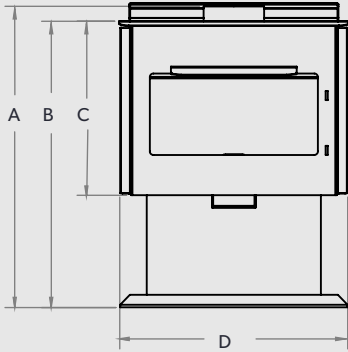
A single lever air control allows simple management of the fire so that a constant, comfortable temperature can be maintained even throughout the night. Add the optional 150 CFM variable speed fan to help circulate air past the superheated firebox so efficiently that it can heat your entire home.



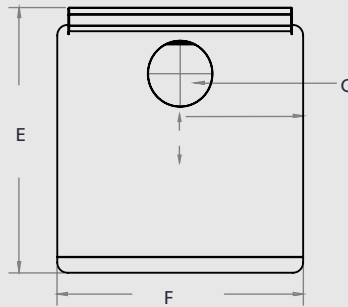
Chalet 1600 & 1800  
Black Pedestal - Nickel Door



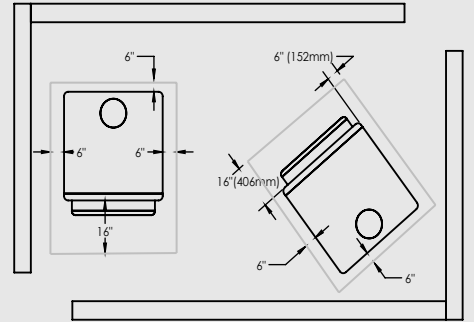
Front view  
Chalet 1600 & 1800



Top view  
Chalet 1600 & 1800

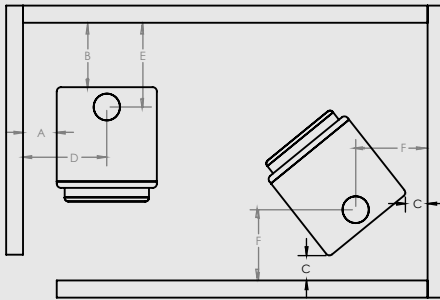


Floor protection requirement. Measurements for U.S. are 6' (152 mm) sides, rear and 16" (406 mm) in front of door opening.\*

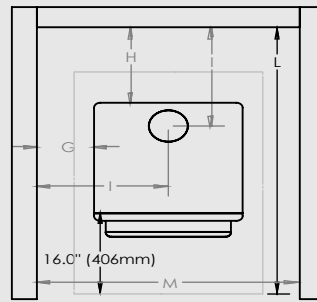


\*Measurements for Canada are 8' (203 mm) sides, rear and 18" (457 mm) in front of door opening.

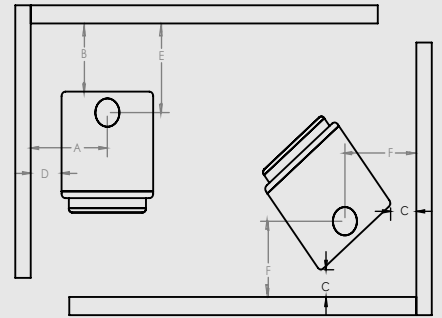
Residential installation using single wall connector



Installation using double wall connector -  
ALCOVE



Installation using listed double wall connector -  
mobile home, residential class clearance



	HEATER (1600)	FLUE CENTRE LINE (1600)	HEATER (1800)	FLUE CENTRE LINE (1800)
Residential Installation using single wall connector				
Sidewall	(A) 14" (356 mm)	(D) 26" (660 mm)	(A) 16" (406 mm)	(D) 28" (711 mm)
Corner	(B) 11" (279 mm)	(E) 17" (432 mm)	(B) 16" (406 mm)	(E) 21" (533 mm)
Backwall	(C) 9" (279 mm)	(F) 19" (483 mm)	(C) 11" (279 mm)	(F) 23" (584 mm)
Residential Installation using double wall connector - Mobile home				
Sidewall	(A) 11" (279 mm)	(D) 23" (584 mm)	(A) 16" (406 mm)	(D) 28" (711 mm)
Corner	(B) 8" (203 mm)	(E) 14" (356 mm)	(B) 8" (203 mm)	(E) 12.25" (311 mm)
Backwall	(C) 8" (203 mm)	(F) 18" (457 mm)	(C) 11" (279 mm)	(F) 23" (584 mm)
Residential Installation using double wall connector - Residential Close Clearance				
Sidewall	(A) 11" (279 mm)	(D) 23" (584 mm)	(A) 16" (406 mm)	(D) 28" (711 mm)
Corner	(B) 8" (203 mm)	(E) 14" (356 mm)	(B) 8" (203 mm)	(E) 12.25" (311 mm)
Backwall	(C) 8" (203 mm)	(F) 18" (457 mm)	(C) 11" (279 mm)	(F) 23" (584 mm)
Residential Installation using double wall connector - ALCOVE				
Sidewall	(G) 13" (300 mm)	(I) 25" (635 mm)	(G) 16" (406 mm)	(I) 28" (711 mm)
Corner	(H) 9" (229 mm)	(J) 15" (381 mm)	(H) 8" (203 mm)	(J) 12.25" (311 mm)
Minimum alcove ceiling height: 83" (2.108 m) Chalet 1600 -- 68" (1.73m) Chalet 1800				
Maximum alcove depth: 36" Chalet (1600/1800)				

TESTED AND APPROVED TO NORTH AMERICA STANDARD UL 1482-96/UIC s625-00

Front and Top View  
Chalet 1600 & 1800 Pedestal Model

	Chalet 1600	Chalet 1800
A	28-5/8" (727 mm)	30-5/16" (786 mm)
B	27-3/8" (696 mm)	29-5/8" (752 mm)
C	15-7/8" (403 mm)	18-1/8" (460 mm)
D	23-3/4" (603 mm)	23-3/4" (603 mm)
E	22-3/4" (578 mm)	27-1/16" (687 mm)
F	23-3/4" (604 mm)	23-3/4" (604 mm)
G	6-5/6" (160 mm)	6-5/6" (160 mm)

Note: Adding legs is 1" taller.

For more information, pictures, and videos visit [archgard.com](http://archgard.com)

\* See the manual for more information.

