



# BENTLEY

ZERO CLEARANCE DIRECT VENT GAS FIREPLACE



# Bring the **BIG** VIEW **INDOORS**

## Introducing the Bentley

With an expansive glass viewing area and clever designer options for customizing the look to suit your personal style, the new **Bentley** by Marquis is generating some serious attention.

Available in two sizes, you can choose from the Decorative-rated fireplace for ambiance and taking the chill out of the room, or the Heater-rated version for additional warmth.

With so much style and attention to detail, it's no wonder people are focused on the view indoors!

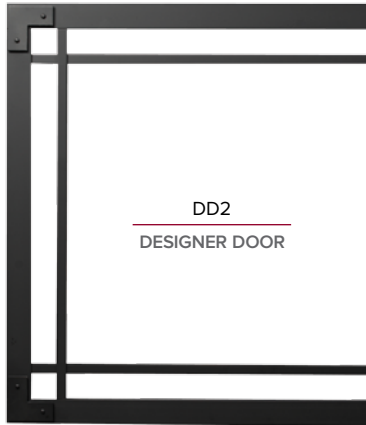
Visit [www.marquisfireplaces.net](http://www.marquisfireplaces.net)  
to see the latest evolution in fireplaces.



DESIGNER DOORS



DD1  
DESIGNER DOOR



DD2  
DESIGNER DOOR



DD3  
DESIGNER DOOR

WALL SURROUND

PICTURE FRAME

BLACK



DECORATIVE STONE

STYLING



MULTI-COLOR  
CANNONBALLS



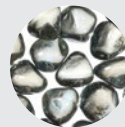
ROCK COLLECTION



FOUR PIECE  
DRIFTWOOD SET



FIVE OR TEN PIECE  
SPLIT OAK LOG SETS

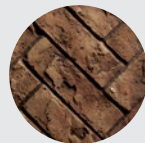


DECORATIVE EMBER GLASS

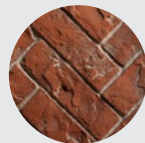
BRICK LINERS



TRADITIONAL



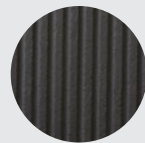
HERRINGBONE



RED HERRINGBONE



STACKED



FLUTED



marquis  
COLLECTION | by Kingsman

\* All gas fireplaces manufactured as of January 1, 2015 will include a Safety Screen Barrier.



Unit Illustrated is a ZCV39NH Zero Clearance Direct Vent Gas Fireplace Natural Gas, ZCV39GT Glass Tray, MQG5ZG Glass Media – ZIRCON Glacier Ice – 5 lbs. x (3 Bags), ULK2 Universal Light Kit – Two Lamps, ZCV39PL Porcelain Reflective Panel Liner, and ZCV39S2PFBL Surround – Picture Frame 1 5/8" Wide.

## STANDARD FEATURES

- > Dedicated Clean View appliance
- > Millivolt or IPI valve system allows operation during a power failure with Hi/Low heat and flame adjustment
- > Pan burner with Realistic Flame Pattern
- > Proflame II Models include Remote Control – Features flame, fan, thermostat, smart thermostat, CPI/IPI cold climate control (ZCV39NHE2, ZCV39LPHE2, ZCV42NHE2, ZCV42LPHE2 Models only).  
\*Optional Accent Lighting available (Dealer Installed Item).

## OPTIONAL FEATURES

**Fan Kit** – Heat activated with variable speed control

**Designer Doors** – Three styles: Arch, Straight Black Doors

**Surrounds** – Hearth Mount, Picture Frame or Slim Line Picture Frame

### ZCV39 Surrounds

Hearth Mount 4" Wide (Covers 40 5/8" W x 35" H)

Picture Frame 4" Wide (Covers 40 5/8" W x 37" H)

Picture Frame 1 5/8" Wide (Covers 36 1/8" W x 32 1/2" H)

### ZCV42 Surrounds

Hearth Mount 4" Wide (Covers 44 5/8" W x 38 1/8" H)

Picture Frame 4" Wide (Covers 44 5/8" W x 40 1/8" H)

Picture Frame 1 5/8" Wide (Covers 40 1/8" W x 35 5/8" H)

### Porcelain Reflective Liner or Brick Liner

**Glass Tray** – with the following media choices: Contemporary Rock, Driftwood Set, Decorative Stones and Decorative Ember Glass (Glacier Ice, Cobalt Blue, Black, Bronze and White)

**Log Sets** – Three choices of Log Sets – Ten Piece Split Oak Log Set, Five Piece Split Oak Log Set or Four Piece Driftwood Set

**Accent Lighting** – for use with the Glass Tray

**Thermostat** – Wall Mount Millivolt Thermostat or Programmable Thermostat

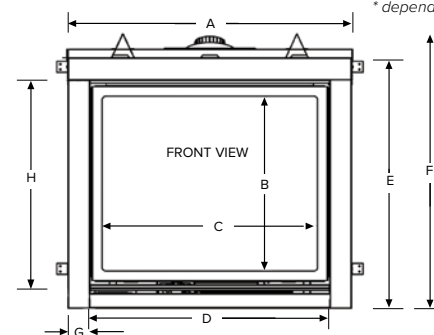
**Remote Control (Millivolt or IPI PF1)** –

Thermostat on/off, Thermostat on/off modulating, Thermostat on/off modulating and fan control



Model	Height		Front Width		Depth	
	Actual	Framing	Actual	Framing	Actual	Framing
ZCV39	37 <sup>3</sup> / <sub>4</sub> "	37 <sup>7</sup> / <sub>8</sub> "	39 <sup>3</sup> / <sub>8</sub> "	39 <sup>1</sup> / <sub>2</sub> "	18 <sup>3</sup> / <sub>8</sub> "	18 <sup>1</sup> / <sub>2</sub> "*
ZCV42	40 <sup>7</sup> / <sub>8</sub> "	41"	42 <sup>3</sup> / <sub>8</sub> "	42 <sup>1</sup> / <sub>2</sub> "	18 <sup>3</sup> / <sub>8</sub> "	18 <sup>1</sup> / <sub>2</sub> "*

\* dependant of finishing material used



	ZCV39	ZCV42
A	39 <sup>3</sup> / <sub>8</sub> "	42 <sup>3</sup> / <sub>8</sub> "
B	24 <sup>1</sup> / <sub>8</sub> "	27 <sup>1</sup> / <sub>4</sub> "
C	29 <sup>5</sup> / <sub>8</sub> "	33 <sup>5</sup> / <sub>8</sub> "
D	33"	37 <sup>1</sup> / <sub>8</sub> "
E	34 <sup>1</sup> / <sub>2</sub> "	37 <sup>5</sup> / <sub>8</sub> "
F	37 <sup>3</sup> / <sub>4</sub> "	40 <sup>7</sup> / <sub>8</sub> "
G	3"	2 <sup>1</sup> / <sub>2</sub> "
H	29 <sup>3</sup> / <sub>8</sub> "	32 <sup>1</sup> / <sub>2</sub> "



<b>Model</b>	ZCV39N ZCV39NE	ZCV39LP ZCV39LPE	ZCV39NH/NHE ZCV39NHE2	ZCV39LPH/LPHE ZCV39LPHE2	ZCV42N ZCV42NE	ZCV42LP ZCV42LPE	ZCV42NH/NHE ZCV42NHE2	ZCV42LPH/LPHE ZCV42LPHE2
<b>Fuel</b>	Natural	Propane	Natural	Propane	Natural	Propane	Natural	Propane
<b>Gas Control</b>	Millivolt / IPI	Millivolt / IPI	Millivolt / IPI	Millivolt / IPI	Millivolt / IPI	Millivolt / IPI	Millivolt / IPI	Millivolt / IPI
<b>Input Max.</b>	25,000 BTU	25,000 BTU	28,000 BTU	29,000 BTU	25,000 BTU	25,000 BTU	29,500 BTU	29,000 BTU
<b>Input Min.</b>	16,750 BTU	20,000 BTU	19,000 BTU	23,000 BTU	16,500 BTU	19,500 BTU	20,000 BTU	23,000 BTU
<b>FE (P.4.1-02)</b>	53.6%/54.9%	53.6%/54.9%	64.6%/67%	64.6%/67%	54.2%/55.7%	54.2%/55.7%	65.2%/67.2%	65.2%/67.2%
<b>Glass Size</b>	33" W x 28 5/8"H	33" W x 28 5/8"H	33" W x 28 5/8"H	33" W x 28 5/8"H	37 1/8" W x 31 3/4"H	37 1/8" W x 31 3/4"H	37 1/8" W x 31 3/4"H	37 1/8" W x 31 3/4"H
<b>Venting</b>	4/7" Flex or 4 x 6 5/8 Hard Pipe* or Power Vent							

\*APPROVED WITH KINGSMAN FLEX VENT, MG DURAVENT-DIRECT VENT PRO DIRECT VENT SYSTEM, AMERIVENT DIRECT VENT PIPE SYSTEM, SELKIRK DIRECT-TEMP VENTING, ICC EXCEL DIRECT VENT, BDM PRO-FORM DIRECT VENT AND METAL FAB SURE-SEAL DV PIPE SYSTEM. THIS APPLIANCE IS APPROVED WITH KINGSMAN (PVH58) HORIZONTAL POWER VENT TERMINATION.



1.



2.



3.



4.



5.



6.



7.

1. ZCV39N Zero Clearance Direct Vent Gas Fireplace Natural Gas, MQLOGF9 Log Set – Ten Pieces, ZCV39RLS Refractory Fiber Brick Liner (3 PCE) – Stacked Brick, MQ39DD2BL Designer Door – Series 2 – Black c/w Safety Screen.

2. ZCV39N Zero Clearance Direct Vent Gas Fireplace Natural Gas, MQLOGF9 Log Set – Ten Pieces, ZCV39RLT Refractory Fiber Brick Liner (3 PCE) – Traditional Brick, MQ39DD3BL Designer Door – Series 3 – Black c/w Safety Screen.

3. ZCV39N Zero Clearance Direct Vent Gas Fireplace Natural Gas, LOGF3 Log Set – Five Pieces, ZCV39RLH Refractory Fiber Brick Liner (3 PCE) – Herringbone Brick, MQ39DD1BL Designer Door – Series 1 – Black c/w Safety Screen.

7. ZCV42N Zero Clearance Direct Vent Gas Fireplace Natural Gas, MQLOGF9 Log Set – Ten Pieces, MQZCV42RFL Black Fluted Panel Liner, ZCV42S1BL Surround – Hearth Mount 4" Wide.

4. ZCV39N Zero Clearance Direct Vent Gas Fireplace Natural Gas, ZCV39GT Glass Tray, MQSTONE Decorative Stones, ZCV39PL Porcelain Reflective Panel Liner.

5. ZCV39N Zero Clearance Direct Vent Gas Fireplace Natural Gas, MQLOGF9 Log Set – Ten Pieces, ZCV39PL Porcelain Reflective Liner (3 PCE).

6. ZCV39N Zero Clearance Direct Vent Gas Fireplace Natural Gas, ZCV39GT Glass Tray, MQROCK3 Contemporary Rock Collection – Multi-Colored, ZCV39PL Porcelain Reflective Panel Liner.



Kingsman Fireplaces maintains a program of continuous testing, refinement and improvements of all its products. Some aspect of units shown here may be changed at any time without notice or obligation.

Certification: ZCV39N, ZCV39NE, ZCV39LP, ZCV39LPE, ZCV42N, ZCV42NE, ZCV42LP, ZCV42LPE are Certified to: ANSI Z21.50-2014, CSA 2.22-2014, CGA 2.17-M91 (R2009) Vented Gas Fireplace. ZCV39NH, ZCV39NHE, ZCV39LPH, ZCV39LPHE, ZCV42NH, ZCV42NHE, ZCV42LPH, ZCV42LPHE are Certified to: ANSI Z21.88-2014, CSA 2.33-2014, CGA 2.17-M91 (R2009) Vented Gas Fireplace Heater.

\*Components may have to be ordered separately to create a complete unit. Discuss with your local Marquis Dealer for clarification.

