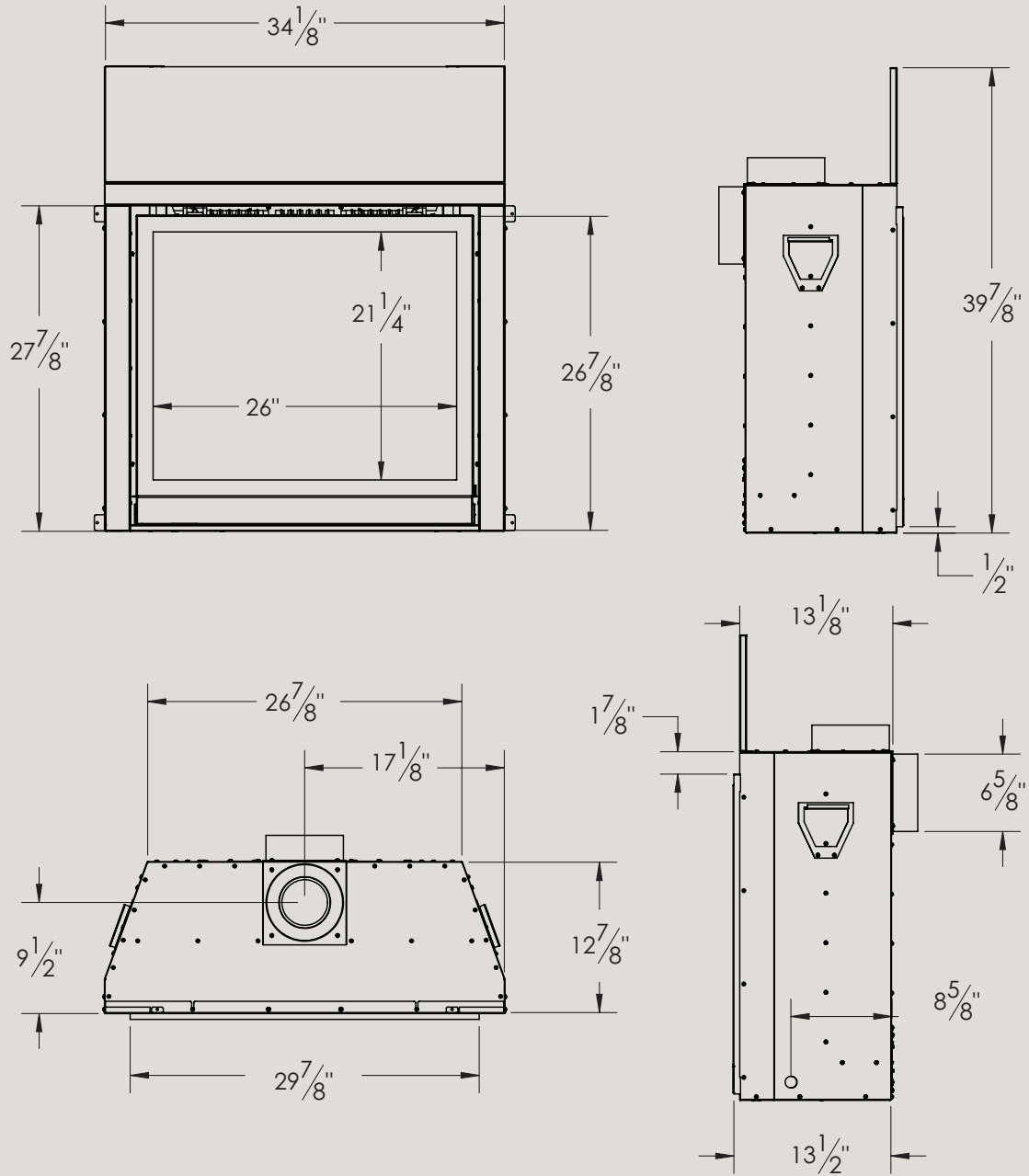
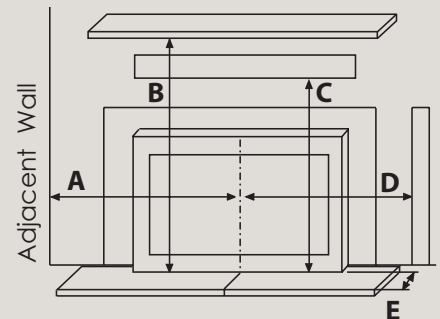


Q2 Dimensions



Minimum Clearance to Combustibles

| | Q1 Fireplace & Insert | Q2 Fireplace |
|---|--------------------------|-------------------|
| A - center of unit to side wall | 16.5" | 21.875" |
| B - bottom of unit to bottom of 12" mantle | 41" | 49" |
| C - bottom of unit to max. $\frac{3}{4}$ " combustible facing | $35\frac{1}{4}$ " | 40" |
| D - center of unit to side facing | 10" | $17\frac{1}{2}$ " |
| E - front of door to edge of floor protection | 12" | N/A |



Measurements are approximate please consult owners manual for details.