



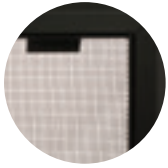
 marquis
COLLECTION | by Kingsman



S O L A R A II

ZERO CLEARANCE DIRECT VENT GAS FIREPLACE

Unit Illustrated is a ZCV3622N Zero Clearance Direct Vent Fireplace – Natural Gas, with MQLOGC23 Driftwood Log Set, and ZCV3622PL Porcelain Reflective Liner.



SAFETY SCREEN BARRIER

WALL SURROUND

FLATT (FOR MQZDV3381 ONLY)

BLACK

PEWTER

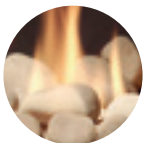
STYLING



SPLIT OAK LOG SET



DRIFTWOOD LOG SET



ROCK COLLECTION



Add Some **SIZZLE**

Incredibly versatile, the Solara is perfectly at home with a classic mantle or contemporary wall surround. Plus you can also choose a log set or a contemporary rock set.

Unit illustrated is a ZCV3622N Zero Clearance Direct Vent Gas Fireplace - Natural Gas, MQLOGC23 Driftwood Log Set, ZCV3622PRL Porcelain Reflective Liner, ZCV36S1BL Surround - Black.

Model	MQZDV3318NE	MQZDV3318LPE	ZCV3622NE	ZCV3622LPE
	MQZDV3318N	MQZDV3318LP	ZCV3622N	ZCV3622LP
Fuel	Natural	Propane	Natural	Propane
Input Max.	19,000 BTU	18,000 BTU	18,000 BTU	18,000 BTU
Input Min.	12,100 BTU	11,900 BTU	13,000 BTU	15,000 BTU
FE (P.4.1-02)	53.4%	51.4%	64.5 / 61.7%	66.2 / 63.2%

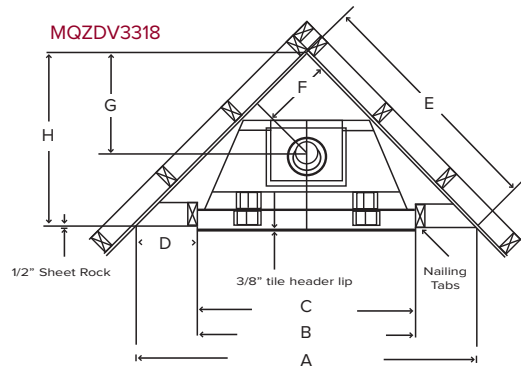
STANDARD FEATURES

- > Millivolt or IPI valve system allows operation during a power failure with Hi/low heat and flame adjustment
- > Proprietary burner, with realistic burn
- > Mobile Home, Bedroom and Bed Sitting Room approved
- > Safety Screen Barrier*



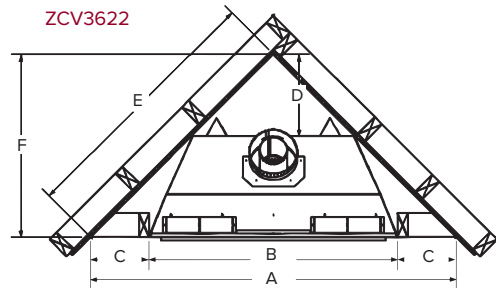
LOUVERED FRAMING DIMENSIONS (inches)

MQZDV3318	
A	43 ³ / ₄ "
B	33"
C	32 ¹ / ₂ "
D	5 ³ / ₈ "
E	31"
F	8 ¹ / ₂ "
G	12"
H	21 ⁷ / ₈ "



CLEAN VIEW FRAMING DIMENSIONS (inches)

	MQZDV3318	ZCV3622
A	48 ⁷ / ₈ "	53 ¹ / ₂ "
B	33 ⁷ / ₈ "	36 ³ / ₈ "
C	33 ⁹ / ₁₆ "	8 ⁹ / ₁₆ "
D	7 ¹ / ₂ "	12"
E	34 ⁹ / ₁₆ "	37 ⁷ / ₈ "
F	8 ¹ / ₂ "	26 ³ / ₄ "
G	12"	-
H	24 ⁷ / ₁₆ "	-



Top Flue Model	Width	Height
VIEWING AREA		
MQZDV3318	25 ¹ / ₂ "	14 ⁵ / ₁₆ "
ZCV3622	29 ³ / ₄ "	18 ⁵ / ₈ "

Top Flue Model	Height		Front Width		Depth	
	Actual	Framing	Actual	Framing	Actual	Framing
LOUVERS						
MQZDV3318	30 ¹ / ₂ "	31"	32 ³ / ₈ "	33"	15 ³ / ₄ "	15 ¹ / ₄ "
CLEAN VIEW CIRCULATING KIT (CVCK)						
MQZDV3318	30 ³ / ₈ "	33 ³ / ₈ "	33 ⁹ / ₁₆ "	33 ⁷ / ₈ "	18 ³ / ₁₆ "	17 ³ / ₄ "
ZCV3622	37 ¹ / ₈ "	37 ¹ / ₄ "	36"	36 ³ / ₈ "	17 ⁷ / ₁₆ "	17 ¹ / ₂ "

OPTIONAL FEATURES

Designer Clean View Circulating Kit (MQZDV3318 only) – No Louvers Required.

Surround Flatt (MQZDV3318 only) – Black or Pewter

Coverage – 35⁵/₁₆" h x 45¹³/₁₆" w

Louvers (MQZDV3318 only) – Grills available in Black, Classic Series Black with Antique, Chrome or Polished Brass accents

Surrounds Wide (Louvered Units, MQZDV3318 only) – Chrome and Black

Coverage – 31³/₁₆" h x 36⁵/₈" w

Surrounds (ZCV3622 only) – Black

Coverage – 34¹/₆" h x 39" w

Fan Kit – Heat activated with variable speed control

Thermostat – Wall Mount Millivolt Thermostat or Programmable Thermostat

Remote Control – On/Off, Thermostat, Thermostat/Modulating

Porcelain Reflective Liner or Metal Brick Liner

Log Sets – Split Oak (MQZDV3318 only) or Driftwood (ZCV3622 only)

Contemporary Rock Set



* All gas fireplaces manufactured as of January 1, 2015 will include a Safety Screen Barrier.



1. This unit illustrated is a MQZDV3318N Zero Clearance Direct Vent Natural Gas Fireplace, with MQLOGC22 Oak Log Set, VI30GBL Black Grill Kit.

2. Unit Illustrated is a MQZDV3318N Zero Clearance Direct Vent Fireplace – Natural Gas, with MQROCK2 Contemporary Rock Collection, MQRSP5 Rock Support Platform, Z33CVCK Designer Clean View Circulating Kit, MQ33SWFBL Flatt Wall Surround – Black, MQ36SWAKSC Chrome Keystone Accent, Z3318PRL Porcelain Reflective Liner.

 **marquis**
COLLECTION | by Kingsman





Kingsman Fireplaces maintains a program of continuous testing refinement and improvements of all its products. Some aspect of units shown here may be changed at any time without notice or obligation.

Certification: Certified to ANSI Z21.88-2014, CSA 2.33-2014, CGA 2.17-M91 (R2009) vented gas fireplace heater.



2340 Logan Avenue, Winnipeg, Manitoba, Canada R2R 2V3 Phone: 204.632.1962 Fax: 204.632.1960 www.marquisfireplaces.net

Printed in Canada B092 - 06/17  

Illustrated is a ZCV3622N Zero Clearance Direct Vent Fireplace – Natural Gas, with MQLOGC22 Oak Log Set, and ZCV3622ML Metal Brick Liner. (Finishing materials that cover the Fireplace must be non-combustible materials.)