



marquis
COLLECTION | by Kingsman



S O L A C E

ZERO CLEARANCE DIRECT VENT GAS FIREPLACE

Unit Illustrated is the Solace MQHBZDV4736N Direct Vent Fireplace, with LOGF36 Fiber Split Oak Log Set, VLBIT4 Log Bits, HB47CVCK Designer Clean View Circulating Kit, HB47RRH Red Herringbone Brick Liner.

WALL SURROUNDS

FLATT

BLACK

BRICK LINER OPTIONS



HERRINGBONE



HERRINGBONE RED



TRADITIONAL

LOG OPTIONS



SOLACE
- LOGF36



SOLACE II
- MQLOGC45

Find your **SOLACE II**

Imagine lively gatherings or times of quiet reflection in front of the beautiful Solace II. Available in two sizes, the Solace II allows you to transform your fireplace into something truly unique.

The Solace II Decorative rated fireplace for ambiance and taking the chill out of the room or choose the Solace models (heater rated version) for additional warmth.



Unit illustrated is the Solace II HBZDV4224N Direct Vent Fireplace with MQLOGC45 Oak Log Set, HB42GBL Grill Kit - Black, HB42RLT Traditional Brick Liner.

Unit illustrated is the Solace II HBZDV3624N Direct Vent Fireplace with MQLOGC45 Oak Log Set, HB36CVCK Designer Clean View Circulating Kit and HB36RLH Herringbone Brick Liner.

SOLACE

Model	MQHBZDV3636NE	MQHBZDV3636LPE	MQHBZDV4736NE	MQHBZDV4736LPE
	MQHBZDV4236NE	MQHBZDV4236LPE		
	MQHBZDV3636N	MQHBZDV3636LP	MQHBZDV4736N	MQHBZDV4736LP
	MQHBZDV4236N	MQHBZDV4236LP		
Flue	Top	Top	Top	Top
Fuel	Natural	Propane	Natural	Propane
Input Max.	30,500 BTU	29,000 BTU	40,000 BTU	36,000 BTU
Input Min.	20,600 BTU	22,200 BTU	27,000 BTU	30,000 BTU
FE (P.4.1-02)	60.9% / 56.8%	62.4% / 56.8%	46.5%	42.5%
Log Set	LOGF36	LOGF36	LOGF36	LOGF36

SOLACE II

Model	HBZDV3624N	HBZDV3624LP
	HBZDV3624NE	HBZDV3624LPE
	HBZDV4224N	HBZDV4224LP
	HBZDV4224NE	HBZDV4224LPE
Flue	Top	Top
Fuel	Natural	Propane
Input Max.	24,000 BTU	22,000 BTU
Input Min.	14,000 BTU	15,000 BTU
FE (P.4.1-02)	51.0% / 44.7%	46.0% / 47.9%
Log Set	MQLOGC45	MQLOGC45

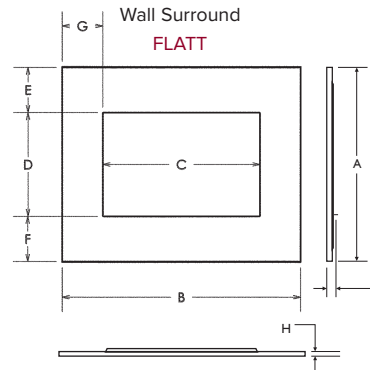
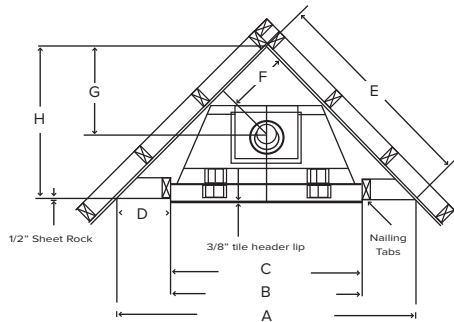
Corner Framing Dimensions (inches)

	LOUVERED			CLEAN VIEW CIRCULATING KIT (CVCK)		
	HB36	HB42	HB47	HB36	HB42	HB47
A	54 ¹³ / ₁₆ "	58 ¹³ / ₁₆ "	65 ¹ / ₄ "	59 ⁷ / ₈ "	63 ¹³ / ₁₆ "	70 ³ / ₁₆ "
B	36 ³ / ₈ "	42 ³ / ₈ "	47 ³ / ₈ "	38 ⁷ / ₁₆ "	42 ⁷ / ₁₆ "	48 ³ / ₈ "
C	36"	41 ⁷ / ₈ "	47 ¹ / ₁₆ "	38 ¹ / ₆ "	42 ¹ / ₁₆ "	48 ¹ / ₁₆ "
D	9 ³ / ₁₆ "	8 ¹ / ₄ "	8 ¹⁵ / ₁₆ "	10 ¹¹ / ₁₆ "	10 ¹¹ / ₁₆ "	10 ⁷ / ₈ "
E	38 ³ / ₄ "	41 ⁵ / ₈ "	46 ¹ / ₈ "	42 ⁵ / ₁₆ "	45 ¹ / ₈ "	49 ⁵ / ₈ "
F	12 ³ / ₈ "	13 ³ / ₄ "	13 ¹⁵ / ₁₆ "	12 ³ / ₈ "	13 ³ / ₄ "	13 ¹⁵ / ₁₆ "
G	17 ⁹ / ₁₆ "	19 ¹ / ₂ "	19 ¹¹ / ₁₆ "	17 ⁹ / ₁₆ "	19 ¹ / ₂ "	19 ¹¹ / ₁₆ "
H	27 ³ / ₈ "	29 ⁷ / ₁₆ "	32 ⁵ / ₈ "	29 ¹⁵ / ₁₆ "	31 ⁷ / ₈ "	35 ¹ / ₁₆ "

Top Flue Model	Width	Height
----------------	-------	--------

VIEWING AREA

HB36	29 ³ / ₄ "	18 ⁵ / ₈ "
HB42	33 ³ / ₈ "	20 ³ / ₈ "
HB47	39 ¹ / ₂ "	26 ³ / ₈ "



HB36

A	40 ¹ / ₂ "	F	9 ¹ / ₂ "
B	49 ¹ / ₂ "	G	8 ¹ / ₂ "
C	32 ¹ / ₂ "	H	2"
D	21 ⁵ / ₈ "	I	1 ¹ / ₂ "
E	9 ¹ / ₂ "	J	5 ¹ / ₂ "

Top Flue Model	Height		Front Width		Depth	
	Actual	Framing	Actual	Framing	Actual	Framing

LOUVERS

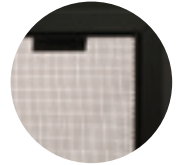
HB36	34 ¹³ / ₁₆ "	35"	36"	36 ³ / ₈ "	16 ⁷ / ₁₆ "	17"
HB42	37"	37 ¹ / ₈ "	41 ¹ / ₈ "	42 ³ / ₈ "	16 ⁷ / ₁₆ "	17"
HB47	43 ¹ / ₁₆ "	43 ¹ / ₈ "	47 ¹ / ₁₆ "	47 ³ / ₈ "	19 ⁷ / ₁₆ "	19 ¹ / ₂ "

CLEAN VIEW CIRCULATING KIT (CVCK)

HB36	34 ¹¹ / ₁₆ "	41"	38 ⁷ / ₁₆ "	38 ⁷ / ₁₆ "	18 ⁷ / ₈ "	19 ¹ / ₂ "
HB42	36 ¹³ / ₁₆ "	43"	42 ¹ / ₁₆ "	42 ⁷ / ₁₆ "	18 ¹⁵ / ₁₆ "	19 ¹ / ₂ "
HB47	49"	49 ¹ / ₈ "	48 ¹ / ₁₆ "	48 ³ / ₈ "	21 ¹⁵ / ₁₆ "	22"

STANDARD FEATURES

- > Millivolt or IPI valve system allows operation during a power failure with Hi/Low heat and flame adjustment
- > Dual burner with Realistic Flame Pattern
- > Safety Screen Barrier*



SAFETY SCREEN BARRIER

OPTIONAL FEATURES

Designer Clean View Circulating Kit – No Louvers Required

Wall Surrounds – Flatt (HB36) Black

Louvers – Grills available in Black. Classic Series Black with Polished Brass, Antique or Chrome Accents

Surrounds Wide (Louvered Units) – Black and Chrome

Coverage – HB36 – 35¹/₂" h x 41¹/₈" w

HB42 – 37⁵/₈" h x 45¹/₈" w

HB47 – 43⁵/₈" h x 50¹/₈" w

Fan Kit – Heat activated with variable speed control

Brick Refractory Liner – Traditional or Herringbone

Thermostat – Wall Mount Millivolt Thermostat or Programmable Thermostat

Remote Control – On/Off, Thermostat On/Off or Thermostat with Flame Modulating and or Fan Control



Porcelain Reflective Liner

Log Set or Contemporary Rock Collection

* All gas fireplaces manufactured as of January 1, 2015 will include a Safety Screen Barrier.

 **marquis**
COLLECTION by Kingsman



Kingsman Fireplaces maintains a program of continuous testing refinement and improvements of all its products. Some aspect of units shown here may be changed at any time without notice or obligation.

Certification: The model MQHBZDV4736 are certified to:
ANSI Z21.50-2014, CSA 2.22-2014, CGA 2.17-M91 (R2009) Vented Gas Fireplaces.
The models MQHBZDV3636/4236 are certified to: ANSI Z21.88-2014,
CSA 2.33-2014, CGA 2.17-M91 (R2009) Vented Gas Fireplace Heater.

