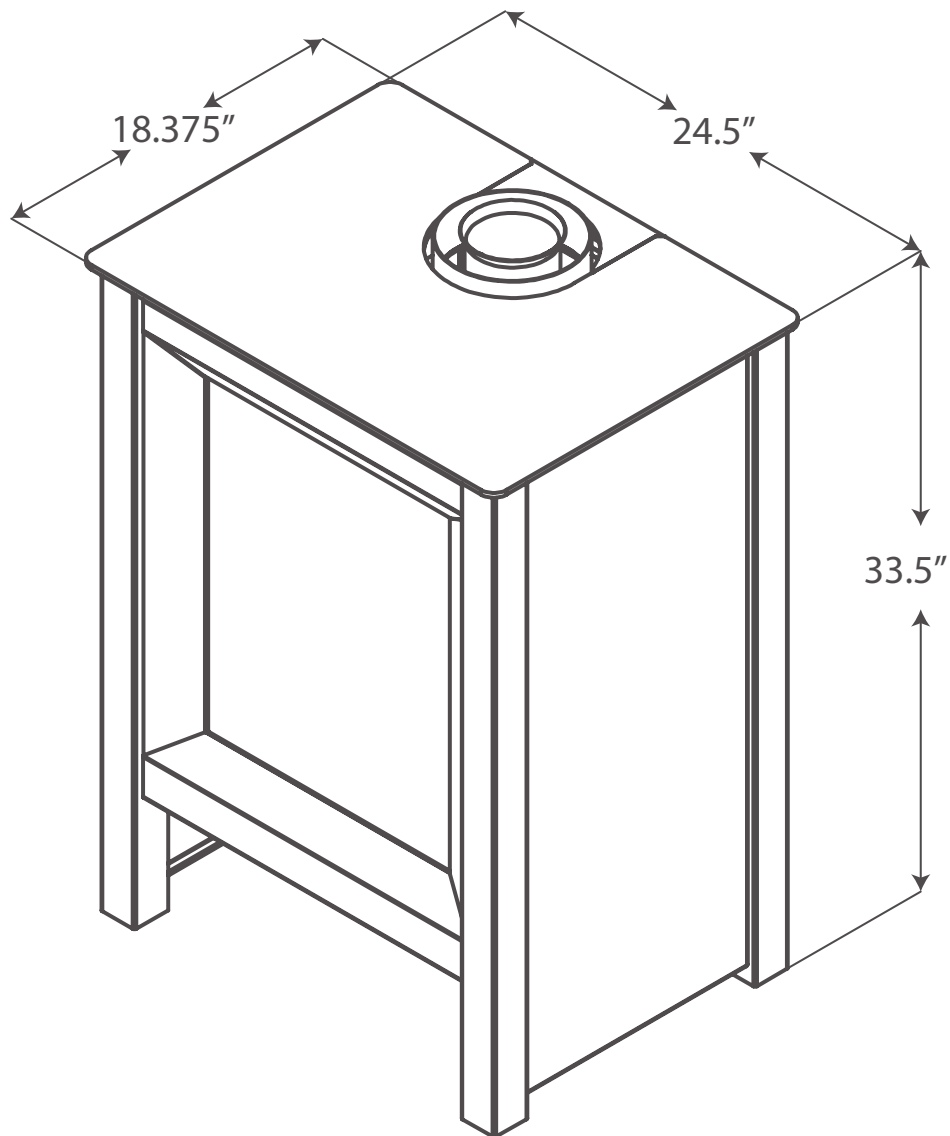


S20 Dimensions



Clearance to Combustables

Min. distance to the sides of the unit	8"
Min. distance to non-combustible surface behind	4"
Min. distance to non-combustible surface above	12"

Please see owner's manual for more information

Measurements are approximate please consult owners manual for details.