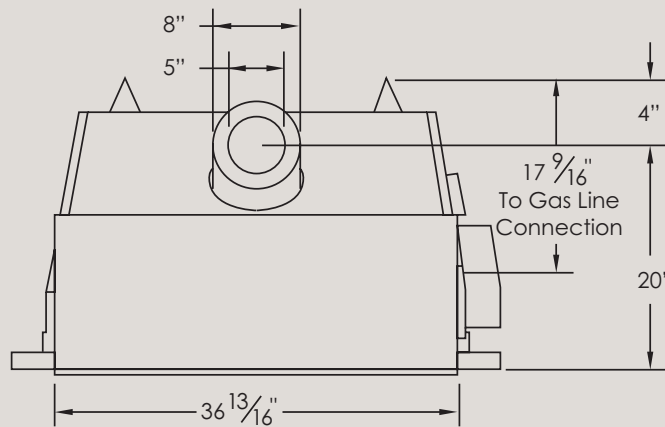
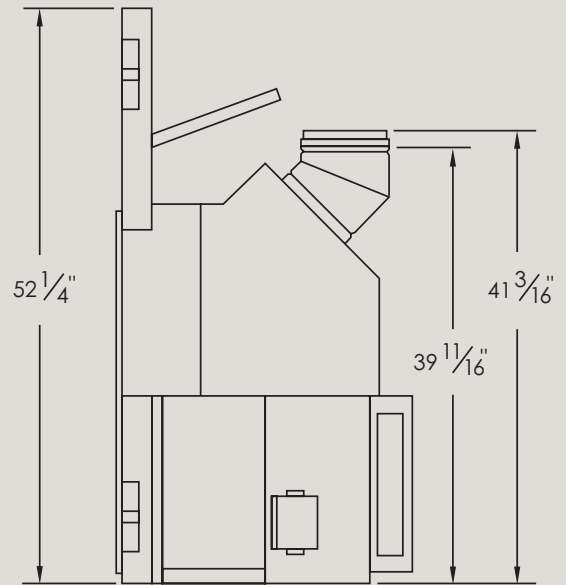
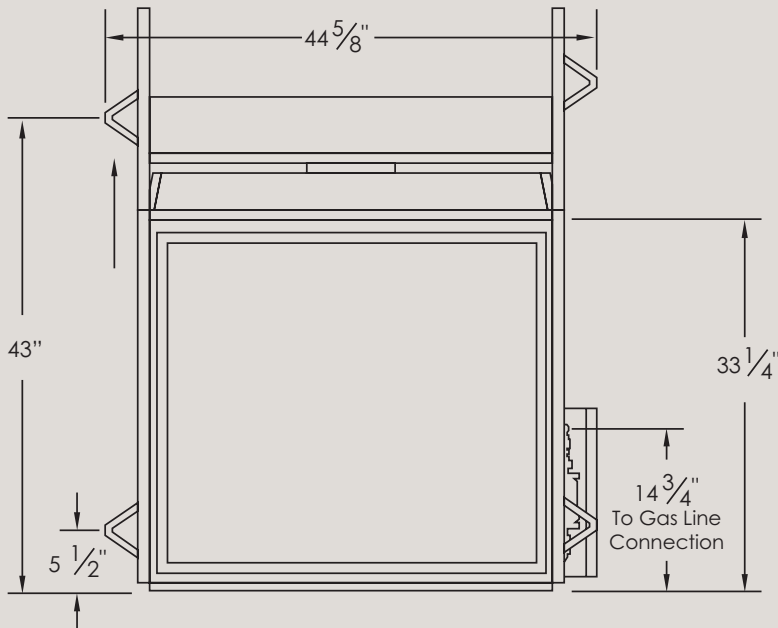
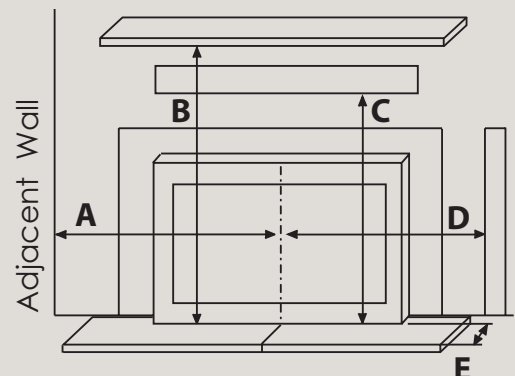


Q4 Dimensions



Minimum Clearance to Combustibles

	Q4 Fireplace
A - center of unit to side wall	28 1/2"
B - bottom of unit to bottom of 12" mantle	54 1/4"
C - bottom of unit to max. 3/4" combustible facing	80"
D - center of unit to side facing	18 1/2"
E - front of door to edge of floor protection	12 1/2"



Measurements are approximate please consult owners manual for details.