

# Archgard

FIREPLACES



45 DVFS28N

Gas Freestanding

Achieve that perfect traditional look you've been seeking for your home by adding an efficient and convenient Archgard Freestanding Gas stove. Whether replacing a wood burning stove, adding a rustic touch to your home, or bringing that unique design to life, the 45 DVFS28N provides the ambiance you've been seeking.

## DOORS & GRILLS

## FIREBRICKS OPTIONS



Black Grills Standard

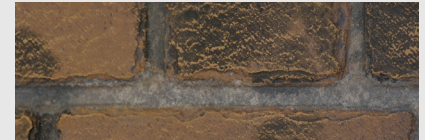


Gold Grills (Optional)



Nickel Grills (Optional)

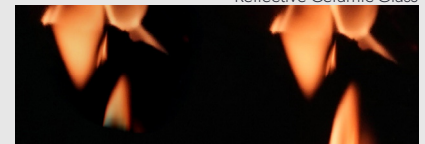
45-BRPL-QCR / Québec City Red



45-BRPL-QCG / Québec City Grey



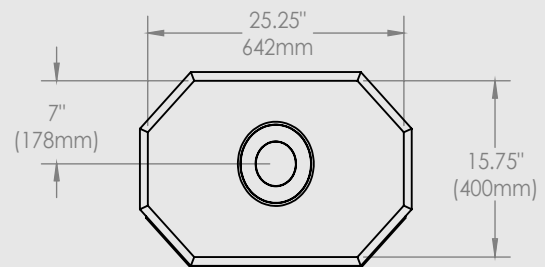
45-BRPL-RG / Eternal Flame Reflective Ceramic Glass



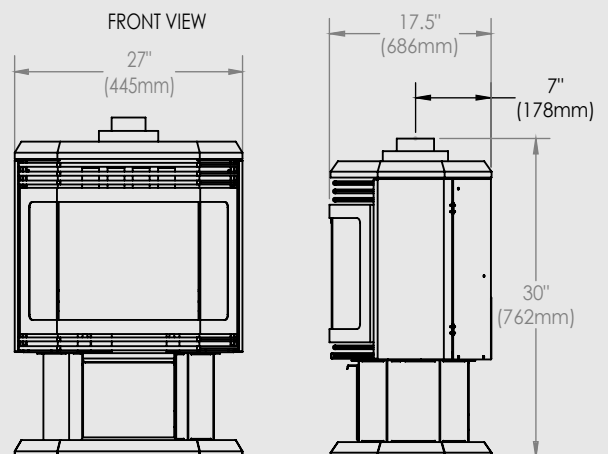
# TECHNICAL SPECIFICATIONS

Input Rating	
Natural Gas	18,750-28,000 BTU/hr 5.5 -8.2 kW/hr
Propane	19,600-28,000 BTU/hr 5.7-8.2 kW/hr
Efficiencies	
Steady State	82%
Afue Efficiency	72%
P4	58.98%
Standard Features	
Ceramic Glass	Included
Barrier Screen	Included
Firebox Construction	Welded/rivet and gasket, silicone free
Warranty	Elite Limited Lifetime
Burner Type	Wall to wall steel pan w/ Lifetime Warranty
Fan Kit	Included
Propane Conversion Kit	Optional
Minimum Chimney height from top of unit to center of elbow on horizontal termination	36"

## TECHNICAL DIMENSIONS



TOP VIEW



Tested and approved to Canadian and American Standards. ANSI Z21.88B-2014/CSA 2.33B-2014 and CAN/CGA-2.17-M91

\*All fireplaces come standard with barrier screens which attach to the door with very little effort.